

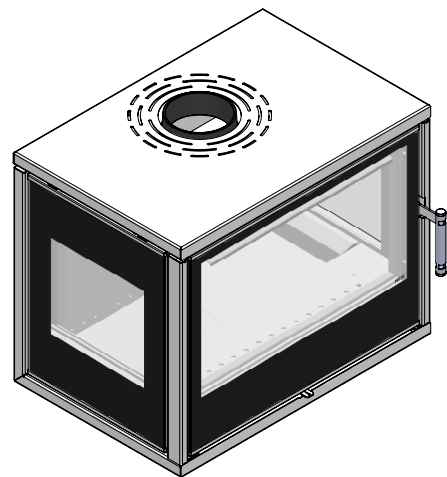
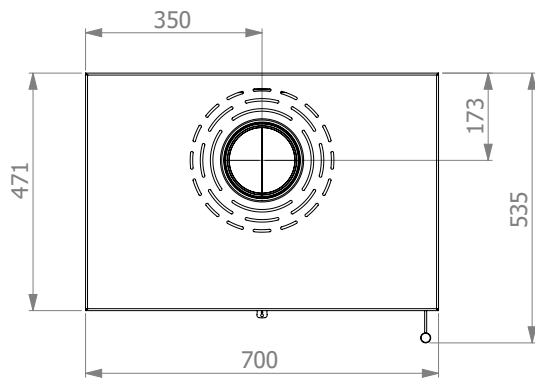
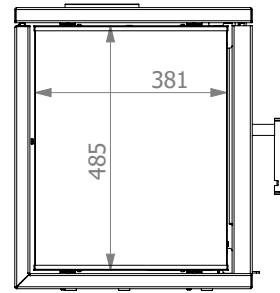
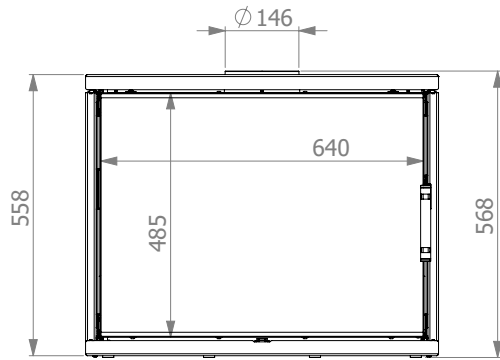
BASIC INFORMATION ABOUT THE PRODUCT



- Flue outlet mounted from inside the combustion chamber (diameter 150 mm) – compatible with various chimney systems.
- Three-sided design – panoramic, triple-glass view of the flames from every angle.
- Deep firebox – increased safety and larger wood loading capacity.
- Automatic fan system – enhances warm air circulation in the room (optional).
- Air intake (diameter 100 mm, mounted at the rear) – allows installation in homes with heat recovery ventilation systems (HRV).
- Advanced air supply and circulation system – ensures eco-friendly combustion and a clear view of the flames.
- New door design features minimalist, elegant Decor glass.
- Housing with inward-folded 20 mm flange – improved durability and aesthetics.
- Configuration options: elliptical base, rectangular base, wall-mounting bracket, fans.

Nominal power [kW]	8,5
Heating load range [kW]	4-10
Thermal efficiency [%]	87
CO emissions (at 13% O ₂) [g/m ³]	0,025
Pollen emission [g/m ³]	1,002
Average fuel consumption [kg/h]	2,4
Glass dimensions [mm]	640x481
Flue diameter [mm]	146
Inlet diameter [mm]	100
Housing sheet thickness [mm]	2
Weight [kg]	127
Efficiency factor	116,2





CF 3S 700
20MM